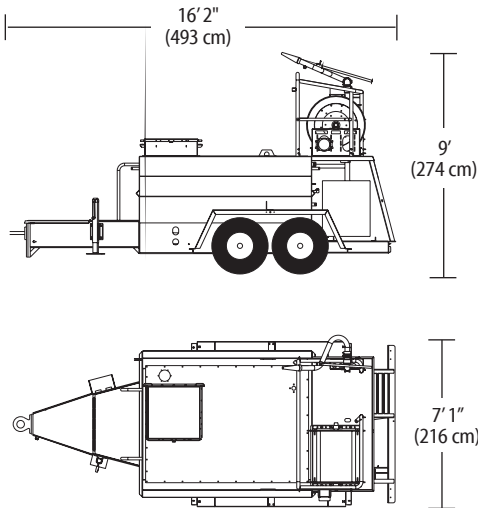
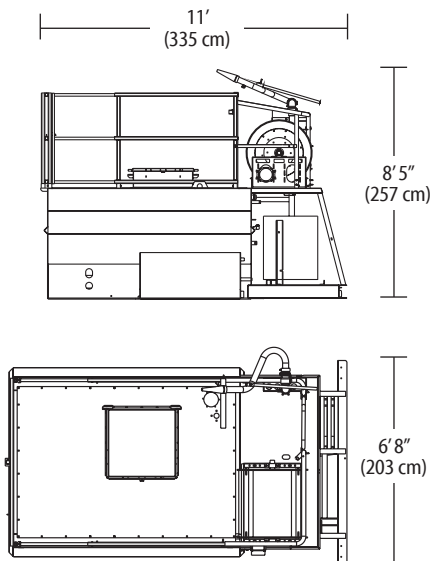


FINN MODEL T90 TECHNICAL SPECIFICATIONS

T90T TRAILER



T90S SKID MOUNT



Shown with optional hose reel.

POWER	Diesel Kubota V1505, 33.5 hp (25 kw), 4 cylinder water cooled
ENGINE SAFETY SYSTEM	Low oil pressure, high temperature shutoff
TANK SIZE	940 gallon (3,558 liter) liquid capacity, 800 gallon (3,028 liter) working capacity
FUEL TANK CAPACITY	14 gallon (53 liter)
PUMP	Centrifugal 4" x 2" (10 cm x 5 cm) 170 gpm @ 100 psi, (646 lpm @ 7 kg/cm ²), 3/4" (1.9 cm) solid clearance, external adjustment
PUMP DRIVE	Direct drive with over center clutch, pump drive is independent of agitator operation
AGITATION	Mechanical paddle agitation and liquid recirculation
AGITATOR DRIVE	Reversible, variable speed hydraulic motor drive (0-110 rpm)
DISCHARGE DISTANCE	Up to 180 feet (55 m) from end of discharge tower
MAX. MATERIAL CAPACITY	2,500 lbs. (1,134 kg) granular solids, 400 lbs. (181 kg) fiber mulch
NOZZLES	(1) narrow fan, (1) wide fan, (2) long distance
EMPTY WEIGHT	T90T 5,420 lbs. (2,458 kg) T90S 4,000 lbs. (1,814 kg)
WORKING WEIGHT*	T90T 14,670 lbs. (6,654 kg) T90S 13,250 lbs. (6,010 kg)
BRAKES	Electric on both axles with break-away switch
LIGHTS	D.O.T. including marker, identification lights and license plate bracket
TIRES	9.5" x 16.5" tubeless with highway tread, load range E
TRAILER AXLES	Tandem 7,000 lbs. (3,176 kg) rubber torsion with adjustable fenders.
HITCH WEIGHT	Approx. 1,600 lbs. (762 kg)

*Working weights are approximate and do not include options or stored materials.

FINN Corporation has a policy of continuous product improvement, and reserves the right to change design and specifications without notice.

HydroSeeder® is a registered trademark of the FINN Corporation.