



The superior technology behind the T90 Series II HydroSeeder is the result of more than 50 years of extensive FINN research and HydroSeeder manufacturing. Many customers have provided valuable input that shaped the final product. Today, the FINN T90 Series II HydroSeeder offers the ultimate in performance features and operator conveniences that are exactly what you'd expect from the industry leader in hydroseeding quality and innovation.

Even Application . For ease-of-use, the large loading hatch of the T90 Series II is located at the front of the unit. This allows material to be loaded from the tow vehicle while the operator stands safely on the hitch platform. A uniform mix is of vital importance and the FINN T90 Series II HydroSeeder delivers. The sleek design of the tank provides a smooth slurry flow pattern from the beginning to the end of the load.

Rugged & Aggressive. The FINN T90 Series II HydroSeeder features a heavy-duty agitator driven by a variable speed, reversible hydraulic motor – with controls both front and rear. The agitator and pump are independently

driven, allowing complete mixing of the slurry without pump operation. This significantly enhances mechanical longevity and flexibility during operation. Outstanding GPM output, piping, and pressure capabilities of the pump result in spray distances of up to 180 feet from the tower gun.

The T90 Series II HydroSeeder boasts a powerful centrifugal slurry pump, driven by an in-line common shaft clutch with no high-cost maintenance couplings, drive belts or hydraulic components. This configuration dramatically increases output and operating pressure.

Solid Performance. The independent torsion suspension axles of the T90 Series II are equipped with electric brakes for better control. Heavy-duty truck wheels with standard highway-rated tires provide solid stability on uneven terrain.

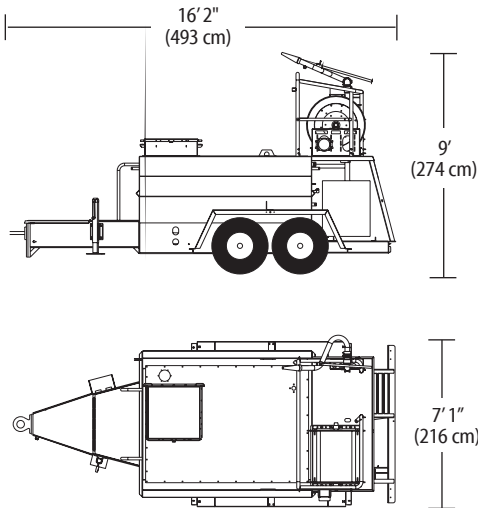
As the world leader for over 70 years in the design and manufacture of innovative, quality equipment for the green industry, FINN Corporation is committed to your complete satisfaction.

Model shown may include optional equipment.

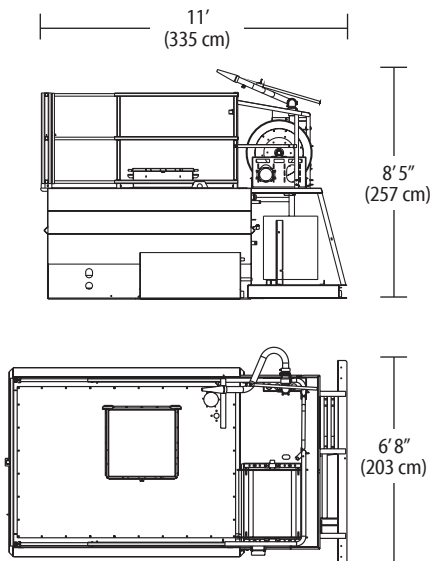
SMARTER WAYS TO WORK

9281 LeSaint Drive • Fairfield, OH 45014-5457 • Phone (513) 874-2818 • Fax (513) 874-2914
Toll Free (800) 543-7166 • Parts (800) 229-8707 • E-mail: sales@finncorp.com
Customer Service/Warranty (888) 382-1966

T90T TRAILER



T90S SKID MOUNT



Shown with optional hose reel.

FINN MODEL T90 TECHNICAL SPECIFICATIONS

POWER	Diesel Kubota V1505, 33.5 hp (25 kw), 4 cylinder water cooled
ENGINE SAFETY SYSTEM	Low oil pressure, high temperature shutoff
TANK SIZE	940 gallon (3,558 liter) liquid capacity, 800 gallon (3,028 liter) working capacity
FUEL TANK CAPACITY	14 gallon (53 liter)
PUMP	Centrifugal 4" x 2" (10 cm x 5 cm) 170 gpm @ 100 psi, (646 lpm @ 7 kg/cm ²), 3/4" (1.9 cm) solid clearance, external adjustment
PUMP DRIVE	Direct drive with over center clutch, pump drive is independent of agitator operation
AGITATION	Mechanical paddle agitation and liquid recirculation
AGITATOR DRIVE	Reversible, variable speed hydraulic motor drive (0-110 rpm)
DISCHARGE DISTANCE	Up to 180 feet (55 m) from end of discharge tower
MAX. MATERIAL CAPACITY	2,500 lbs. (1,134 kg) granular solids, 400 lbs. (181 kg) fiber mulch
NOZZLES	(1) narrow fan, (1) wide fan, (2) long distance
EMPTY WEIGHT	T90T 5,420 lbs. (2,458 kg) T90S 4,000 lbs. (1,814 kg)
WORKING WEIGHT*	T90T 14,670 lbs. (6,654 kg) T90S 13,250 lbs. (6,010 kg)
BRAKES	Electric on both axles with break-away switch
LIGHTS	D.O.T. including marker, identification lights and license plate bracket
TIRES	9.5" x 16.5" tubeless with highway tread, load range E
TRAILER AXLES	Tandem 7,000 lbs. (3,176 kg) rubber torsion with adjustable fenders.
HITCH WEIGHT	Approx. 1,600 lbs. (762 kg)

*Working weights are approximate and do not include options or stored materials.

FINN Corporation has a policy of continuous product improvement, and reserves the right to change design and specifications without notice.

HydroSeeder® is a registered trademark of the FINN Corporation.