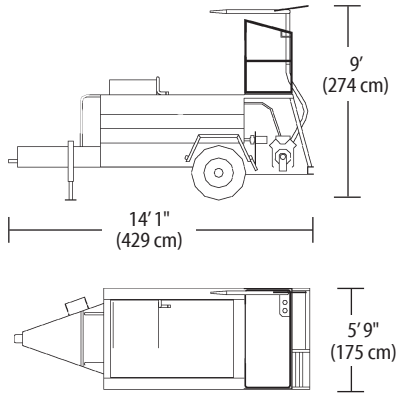
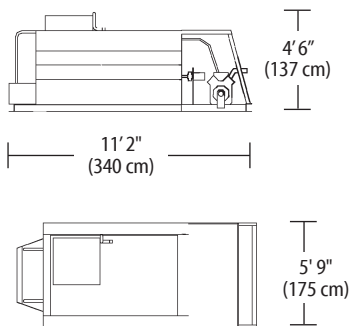


FINN MODEL T60 TECHNICAL SPECIFICATIONS

T60T TRAILER



T60S SKID MOUNT



POWER	Kohler Ch25, 25 hp (18.7 kw), 2 cylinder, OHV, air cooled gas
ENGINE SAFETY SYSTEM	Low oil pressure, high temperature shutoff
TANK SIZE	600 gallon (2,270 liter) liquid capacity, 500 gallon (1,890 liter) working capacity
FUEL TANK CAPACITY	10 gallon (38 liter)
PUMP	Centrifugal 3" x 1 1/2" (7.5 cm x 3.75 cm), 65 GPM @ 75 psi (245 lpm @ 5.3 kg/cm ²), 3/4" (1.9 cm) solid clearance, adjustable
PUMP DRIVE	Direct drive through electric clutch, pump drive is independent of agitator operation
AGITATION	Mechanical paddle agitation and liquid recirculation
AGITATOR DRIVE	Reversible, variable speed hydraulic motor (0-110 rpm), with control lever at front and rear of unit
DISCHARGE DISTANCE	Up to 90 ft. (27 m) from end of discharge tower
MAX. MATERIAL CAPACITY	1,550 lbs. (703 kg) granular solids, 200 - 250 lbs. (91 - 113 kg) fiber mulch
NOZZLES	(1) narrow fan, (1) wide fan, (1) long distance
EMPTY WEIGHT	T60T 2,770 lbs. (1,257 kg) T60S 2,170 lbs. (985 kg)
WORKING WEIGHT*	T60T 7,770 lbs. (3,525 kg) T60S 7,170 lbs. (3,253 kg)
BRAKES	Electric with break-away switch
LIGHTS	D.O.T., including marker, identification lights, and license plate bracket
TIRES	7.5" x 16" LT, load range F
HITCH	2 5/16" (5.87 cm) ball or heavy-duty lunette eye Includes large storage area
HITCH WEIGHT	Approx. 1,300 lbs. (590 kg) max load

*Working weights are approximate and do not include options or stored materials.

FINN Corporation has a policy of continuous product improvement, and reserves the right to change design and specifications without notice.

HydroSeeder® is a registered trademark of the FINN Corporation.