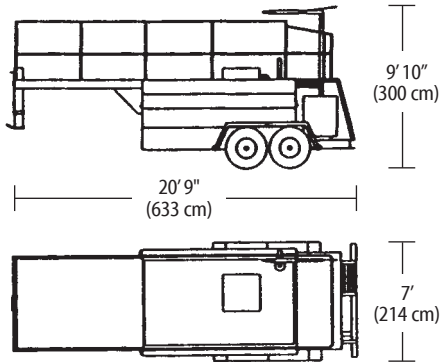
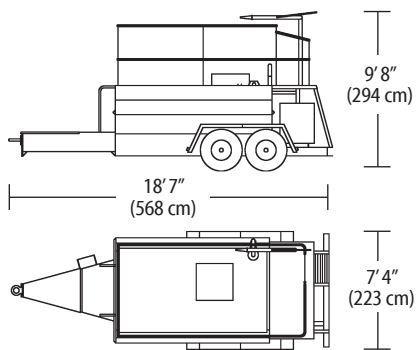


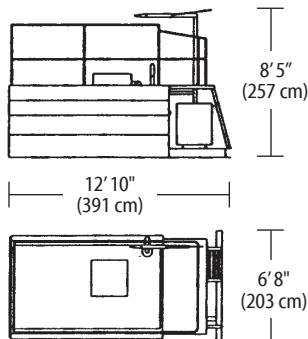
T120GN GOOSENECK TRAILER



T120T STRAIGHT PULL TRAILER



T120S SKID MOUNT



FINN MODEL T120 TECHNICAL SPECIFICATIONS

POWER	Diesel Kubota V1505, 33.5 hp (25 kw), 4 cylinder water cooled
ENGINE SAFETY SYSTEM	Low oil pressure, high water temperature shutoff
TANK SIZE	1,180 gallon (4,468 liter) liquid capacity, 1,000 gallon (3,785 liter) working capacity
FUEL TANK CAPACITY	15 gallon (57 liter)
PUMP	Centrifugal 4" x 2" (10 cm x 5 cm) 170 gpm @ 100 psi, (646 lpm @ 7 kg/cm ²), 3/4" (1.9 cm) solid clearance, external adjustment
PUMP DRIVE	Direct drive with over center clutch, pump drive is independent of agitator operation
AGITATION	Mechanical paddle agitation and liquid recirculation
AGITATOR DRIVE	Reversible, variable speed hydraulic motor drive (0-110 rpm)
DISCHARGE DISTANCE	Up to 180 feet (55 m) from end of discharge tower
MAX. MATERIAL CAPACITY	3,200 lbs. (1,450 kg) granular solids, 500 lbs. (225 kg) fiber mulch
NOZZLES	(1) narrow fan, (1) wide fan, (2) long distance
EMPTY WEIGHT	T120GN 6,020 lbs. (2,731 kg) T120T 5,800 lbs. (2,630 kg) T120S 4,480 lbs. (2,032 kg)
WORKING WEIGHT*	T120GN 17,620 lbs. (7,992 kg) T120T 17,400 lbs. (7,890 kg) T120S 16,080 lbs. (7,294 kg)
BRAKES	Electric on both axles with break-away switch
LIGHTS	D.O.T. including marker, identification lights and license plate bracket
TIRES	T120GN 9.5" x 16.5" tubeless with highway tread, load range E T120T 12" x 16.5" tubeless with highway tread, load range F
TRAILER AXLES	T120GN Tandem 7,000 lbs. (3,175 kg) rubber torsion with adjustable fenders T120T Tandem 8,000 lbs. (3,630 kg) rubber torsion with adjustable fenders
HITCH WEIGHT	T120GN 4,800 lbs. (2,177 kg) T120T 2,940 lbs. (1,350 kg)

*Working weights are approximate and do not include options or stored materials.

FINN Corporation has a policy of continuous product improvement, and reserves the right to change design and specifications without notice.

HydroSeeder® is a registered trademark of the FINN Corporation.