



T120 Series II HydroSeeder
Gooseneck Trailer. (T120GN)

The FINN T120 Series II HydroSeeder is a real workhorse with a 1,000 gallon working tank capacity. FINN developed HydroSeeder technology in 1953. We've been the industry leader in quality and innovation ever since. With the FINN T120 Series II, you don't have to settle for less than proven FINN quality to tackle a wide range of highly demanding hydroseeding applications.

Power To Spare. The T120 Series II provides muscle with a rugged and dependable 33.5 hp, 4 cylinder water cooled Kubota diesel engine. Available in skid, gooseneck trailer, or straight pull trailer configurations, the T120 Series II HydroSeeder covers up to 1/3 of an acre with one full tank. Tower discharge distance reaches up to 180 feet for greater slurry application and efficient coverage. In addition, the T120 Series II is equipped with full deck railing and plenty of storage capacity to carry extra materials.

Positive Control. The FINN T120 Series II HydroSeeder features a heavy-duty agitator driven by a variable speed, reversible hydraulic motor. The agitator and pump are independently driven, allowing for complete mixing of the slurry without pump operation, and FINN's direct drive clutch and pump assembly are specifically designed to optimize horsepower efficiency and maximize pump performance.

Other features include independent rubber torsion suspension axles that are equipped with electric brakes, including break-away switch; and a direct drive clutch with an adjustable external wear plate.

As the world leader for over 70 years in the design and manufacture of innovative, quality equipment for the green industry, FINN Corporation is committed to your complete satisfaction.

Models shown include optional equipment.



T120 Series II HydroSeeder Straight Pull Trailer. (T120T)

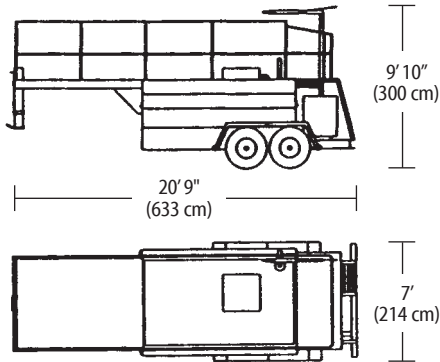


T120 Series II HydroSeeder Skid Mounted. (T120S)

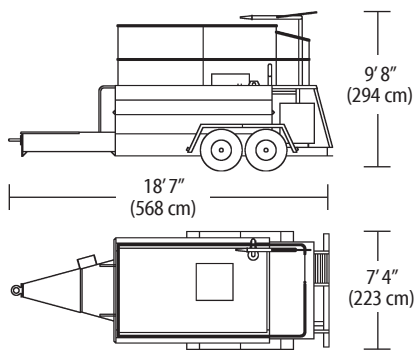
SMARTER WAYS TO WORK

9281 LeSaint Drive • Fairfield, OH 45014-5457 • Phone (513) 874-2818 • Fax (513) 874-2914
Toll Free (800) 543-7166 • Parts (800) 229-8707 • E-mail: sales@finncorp.com
Customer Service/Warranty (888) 382-1966

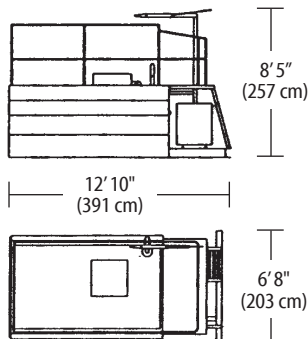
T120GN GOOSENECK TRAILER



T120T STRAIGHT PULL TRAILER



T120S SKID MOUNT



FINN MODEL T120 TECHNICAL SPECIFICATIONS

POWER	Diesel Kubota V1505, 33.5 hp (25 kw), 4 cylinder water cooled
ENGINE SAFETY SYSTEM	Low oil pressure, high water temperature shutoff
TANK SIZE	1,180 gallon (4,468 liter) liquid capacity, 1,000 gallon (3,785 liter) working capacity
FUEL TANK CAPACITY	15 gallon (57 liter)
PUMP	Centrifugal 4" x 2" (10 cm x 5 cm) 170 gpm @ 100 psi, (646 lpm @ 7 kg/cm ²), 3/4" (1.9 cm) solid clearance, external adjustment
PUMP DRIVE	Direct drive with over center clutch, pump drive is independent of agitator operation
AGITATION	Mechanical paddle agitation and liquid recirculation
AGITATOR DRIVE	Reversible, variable speed hydraulic motor drive (0-110 rpm)
DISCHARGE DISTANCE	Up to 180 feet (55 m) from end of discharge tower
MAX. MATERIAL CAPACITY	3,200 lbs. (1,450 kg) granular solids, 500 lbs. (225 kg) fiber mulch
NOZZLES	(1) narrow fan, (1) wide fan, (2) long distance
EMPTY WEIGHT	T120GN 6,020 lbs. (2,731 kg) T120T 5,800 lbs. (2,630 kg) T120S 4,480 lbs. (2,032 kg)
WORKING WEIGHT*	T120GN 17,620 lbs. (7,992 kg) T120T 17,400 lbs. (7,890 kg) T120S 16,080 lbs. (7,294 kg)
BRAKES	Electric on both axles with break-away switch
LIGHTS	D.O.T. including marker, identification lights and license plate bracket
TIRES	T120GN 9.5" x 16.5" tubeless with highway tread, load range E T120T 12" x 16.5" tubeless with highway tread, load range F
TRAILER AXLES	T120GN Tandem 7,000 lbs. (3,175 kg) rubber torsion with adjustable fenders T120T Tandem 8,000 lbs. (3,630 kg) rubber torsion with adjustable fenders
HITCH WEIGHT	T120GN 4,800 lbs. (2,177 kg) T120T 2,940 lbs. (1,350 kg)

*Working weights are approximate and do not include options or stored materials.

FINN Corporation has a policy of continuous product improvement, and reserves the right to change design and specifications without notice.

HydroSeeder® is a registered trademark of the FINN Corporation.