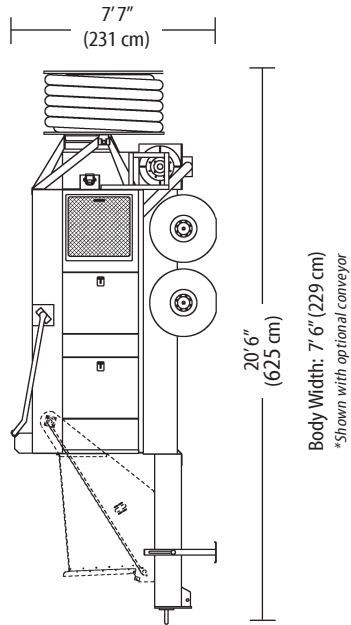


BB705T TRAILER



FINN MODEL BB705 TECHNICAL SPECIFICATIONS

POWER	Kubota V3300, diesel, 71 hp (53 kw)
ENGINE SAFETY SYSTEM	Low oil pressure, high water temperature shutoff
CAPACITY	4.5 cubic yd (3.6m ³)
HOSE REEL CAPACITY	150 ft (45 m)
FUEL TANK CAPACITY	28 gallon (106 liter)
BLOWER	820cfm @ 12 psi (23 cmm @ 88 kPa)
EMPTY WEIGHT	9,900 lbs. (4,490 kg)
WORKING WEIGHT*	14,700 lbs. (6,670 kg)
TRUCK REQUIREMENT	14,700 lbs. (6,670 kg) towing capacity MINIMUM

*Working weights are approximate and do not include options or stored materials.

FINN Corporation has a policy of continuous product improvement, and reserves the right to change design and specifications without notice.