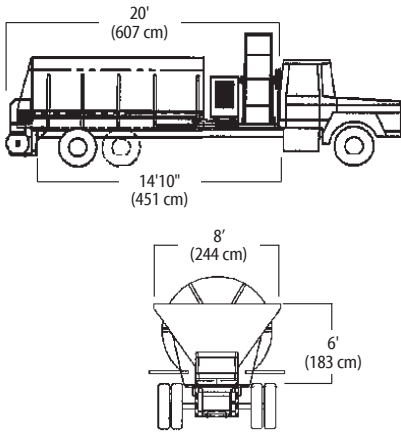
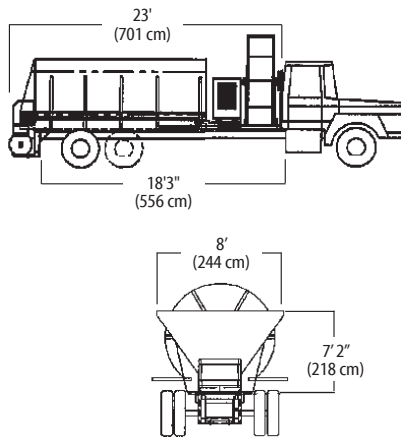


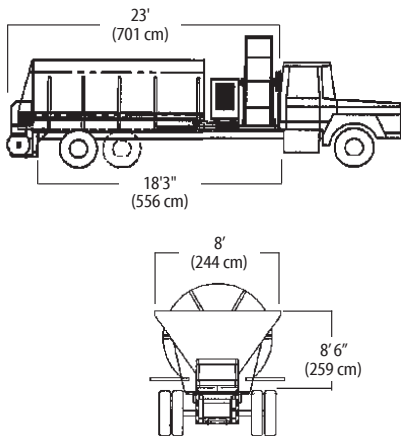
BB1208 BARK BLOWER



BB1216 BARK BLOWER



BB1222 BARK BLOWER



FINN MODEL BB1208 / BB1216 / BB1222 TECHNICAL SPECIFICATIONS

POWER	John Deere 4045D, Diesel, 115 hp (86 kw)
ENGINE SAFETY	Low oil pressure, high water temperature shutoff SYSTEM
CAPACITY	BB1208 8.2 cu. yd. (6.3m ³) BB1216 15.7 cu. yd. (12.0m ³) BB1222 21.8 cu. yd. (16.7m ³)
FUEL TANK.....	36 gallon (136 liter)
CAPACITY	
BLOWER.....	1,200cfm @ 15 psi (34 cmm @103 kPa)
EMPTY WEIGHT	BB1208 10,640 lbs. (4,826 kg)
(W/REEL)	BB1216 12,720 lbs. (5,770 kg)
	BB1222 13,700 lbs. (6,246 kg)
WORKING WEIGHT*	BB1208 16,640 lbs. (7,548 kg)
	BB1216 24,495 lbs. (11,111 kg)
	BB1222 30,000 lbs. (13,608 kg)
TRUCK REQUIREMENT	BB1208 25,900 lbs. (11,750 kg) GVW
MINIMUM	BB1216 34,000 lbs. (15,442 kg) GVW
	BB1222 42,000 lbs. (19,051 kg) GVW

*Working weights are approximate and do not include options or stored materials.

FINN Corporation has a policy of continuous product improvement, and reserves the right to change design and specifications without notice.