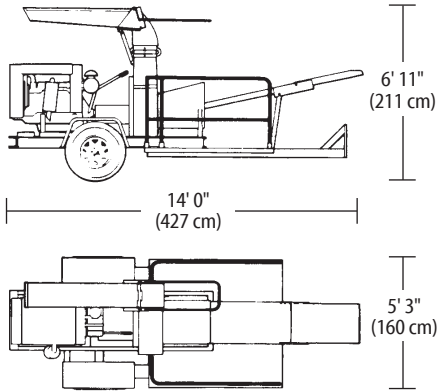
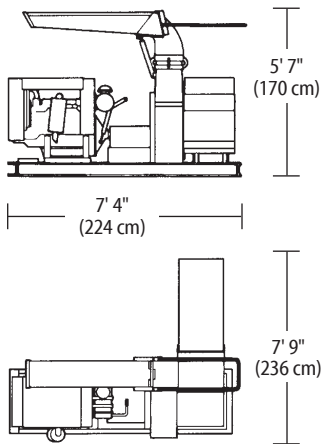


B70T TRAILER



B70S SKID MOUNT



FINN MODEL B70 TECHNICAL SPECIFICATIONS

| | |
|----------------------------|---|
| POWER | Diesel Kubota V1505, 33.5 hp (25 kw), 4 cylinder water cooled diesel engine with over-center clutch |
| ENGINE SAFETY SYSTEM | Low oil pressure, high water temperature shutoff |
| CAPACITY | Up to 7 tons of hay or straw per hour |
| FUEL TANK CAPACITY | 13.5 gallon (51 liter) |
| BLOWER..... | Dynamically balanced, 21" (53 cm) diameter fan with 6 blades developing a discharge velocity greater than 150 mph (240 km/h) |
| RANGE | 60 ft. (18 m) in still air |
| FEED | Manual |
| BEATER CHAMBER..... | 3.5 cu. ft. (99 liter) with removable beater chains |
| DISCHARGE SPOUT | Block bearing mounted. 360 degrees horizontal rotation and 70 degrees vertical travel |
| TRAILER OPTION | Independent suspension rubber torsion axle, 75 R/15 load range B, highway tread radial tires, fenders, D.O.T highway lights, dual skid proof operator platforms, parking jack, 2" (5 cm) ball or heavy duty eye hitch |
| FEED TRAY | Folding tray, adjustable height to meet bed of supply vehicle |
| DRIVE..... | Blower fan in-line coupled to over-center clutch with flexible coupling and two pillow block bearings |
| WEIGHT | B70S 1,590 lbs. (721 kg) B70T 2,250 lbs. (1020 kg) |

FINN Corporation has a policy of continuous product improvement, and reserves the right to change design and specifications without notice.